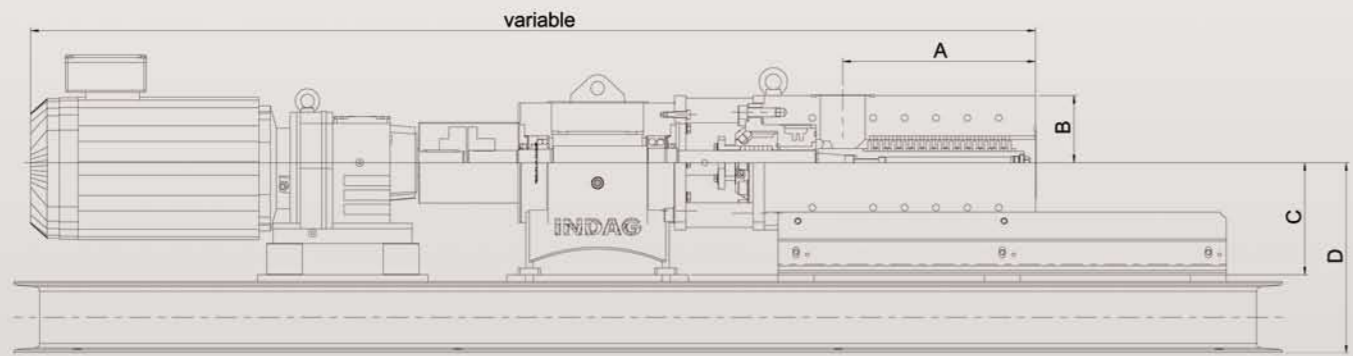
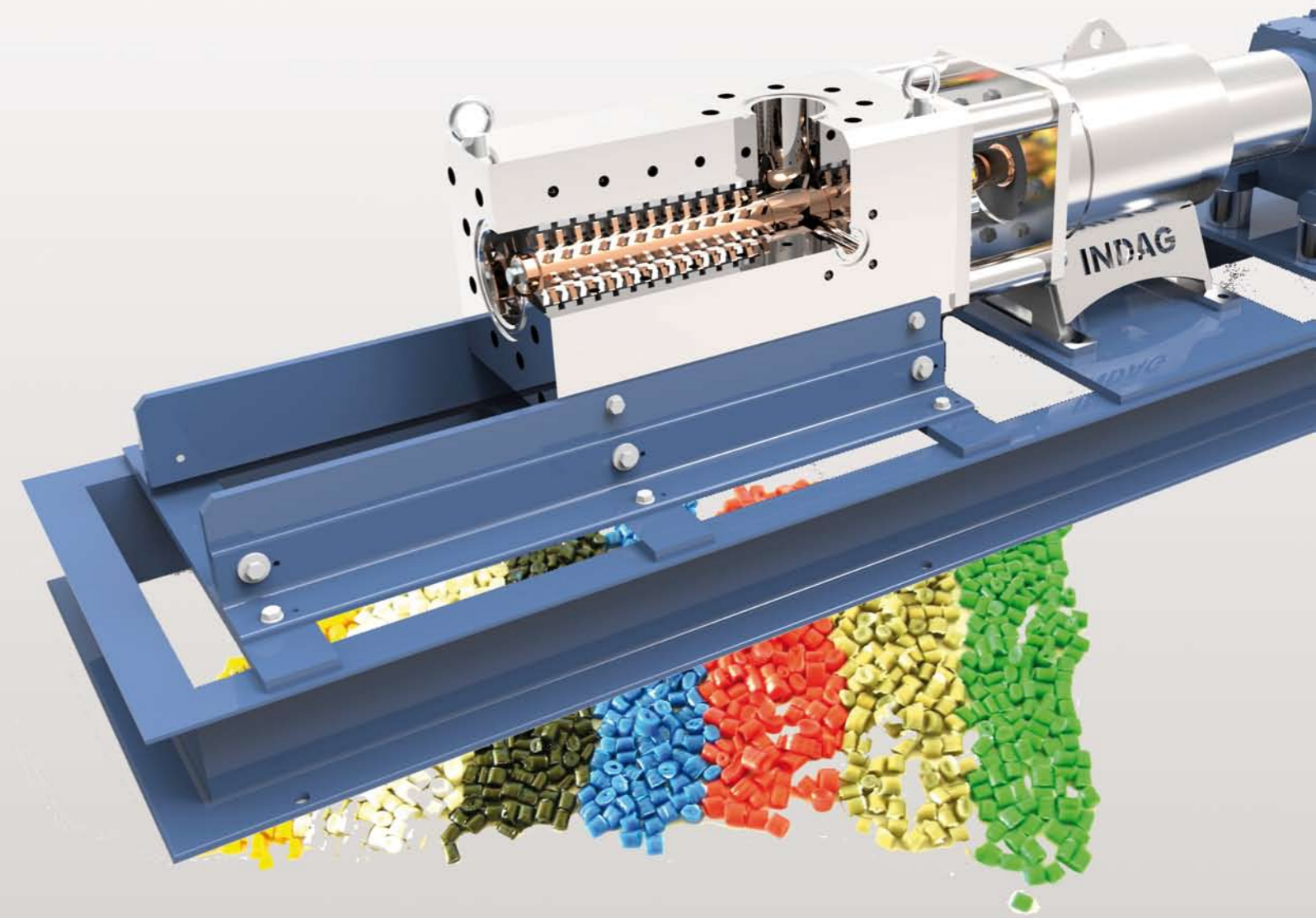


Compact version: DLM/S 215 HV 40 bar (600psig)

TYPE	A	B	C	D
DLM/S 110 HV	370	140	200	335
DLM/S 212 HV	430	150	250	425
DLM/S 315 HV	535	175	300	480
DLM/S 415 HV	580	200	350	570



High pressure version DLM/S 212 HV 160 bar (2500 psig)



- Continuous
- Mixing
- Efficient
- Compact

**FlowMix DLM/S**  
Dynamic inline mixer  
For highly viscous polymer

## FlowMix DLM/S dynamic inline mixer for highly viscous polymer

Requirements on mixing technology for mixing of additives into highly viscous polymer (hot melt of plastic). Pressures up to 160 bar (2500 psig), viscosities of up to 70,000 Pas and temperatures of up to 330°C (626°F).

DLM/S .. HV		1	2	3	4
Specification DIN 1092-1 PN40/100/160	DN	80	100	150	200
ANSI B 16.5 600/1500/2500 lbs	ASME	3"	4"	6"	8"
Capacity	t/h	0.5	1.5	4	10
required Power *	kW	5 – 11	11 – 22	15 – 45	22 – 75
	1/min	150 – 300	100 – 250	80 – 200	60 – 150
Mixing stages	10	DLM/S 110 HV			
	12		DLM/S 212 HV		
	15			DLM/S 315 HV	DLM/S 415 HV

\* depends on product

### Advantages of dynamic inline mixer type FlowMix DLM/S

#### • Efficient design

Efficient conversion of customer requirement into technical equipment. Dynamic inline mixer type FlowMix DLM/S is specialized in mixing only.

#### • Flexibility:

FlowMix DLM/S adapts by changing rotational speed to wide range of capacities (kg/h) and wide range of additive concentration (%). Client can use dynamic inline mixer for different applications.

#### • Minor pressure loss:

FlowMix DLM/S creates minor pressure loss (< 1bar; < 14 psi). Existing pump will operate at approximately the same discharge pressure and should not have to be upgraded.

#### • Good cleanability:

Design of dynamic inline mixer reduces dead spots to a minimum. Turning of rotor supports cleaning capability.

#### • Minor maintenance cost:

The bearings supporting the rotor are located in an external bearing housing and therefore not in contact with product. Inline mixer is easy to disassemble and change dynamic sealing.

#### • Low energy consumption:

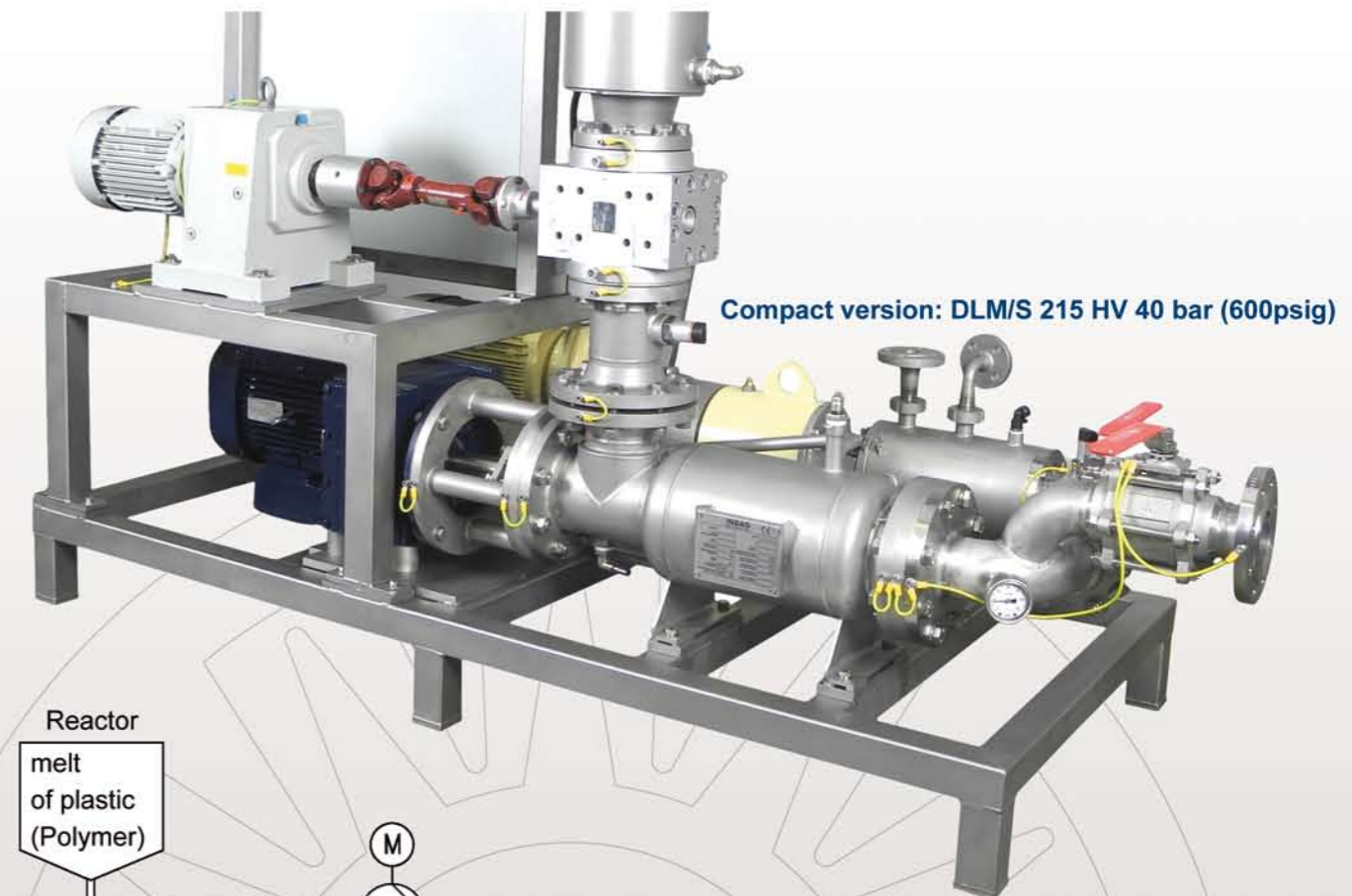
Drive power is efficiently transformed into mixing energy.

#### • Complete solution:

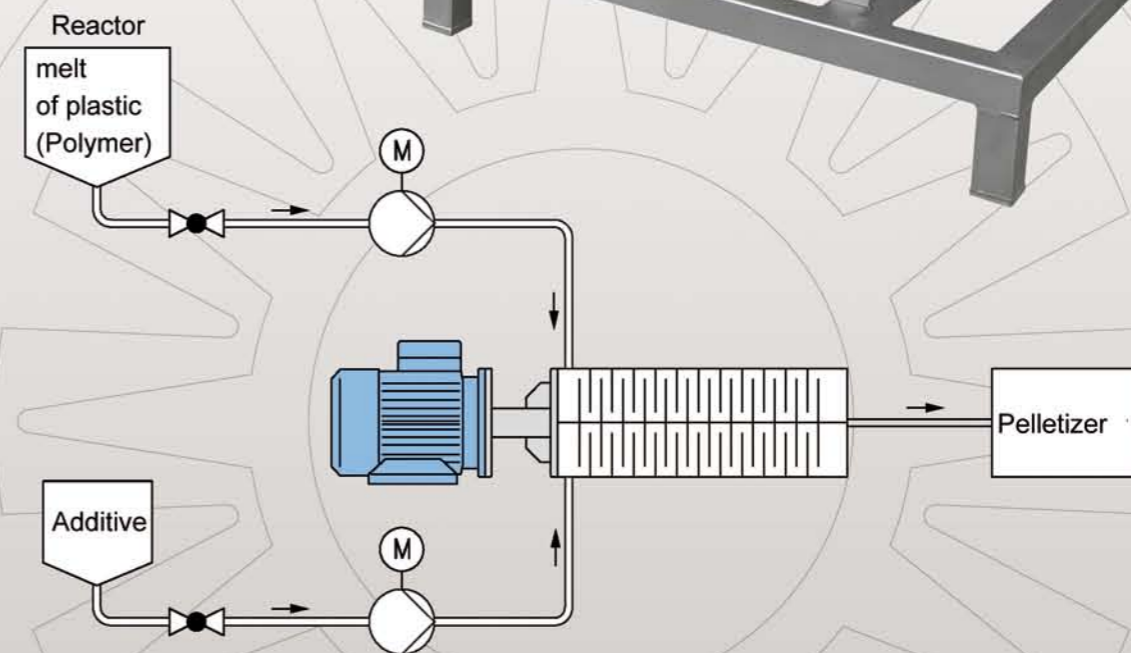
Upon customer request INDAG delivers complete systems including metering pumps and heatable double jacket pipe lines mating flanges.

#### Products to mix :

Polyethylen PE  
Polyamide PA  
Polyethylene terephthalate PET  
Polymethyl metacrylate PMMA  
Polybutylene terephthalate PBT  
Polycarbonate PC



Compact version: DLM/S 215 HV 40 bar (600psig)



High pressure version DLM/S 212 HV 160 bar (2500 psig)

