

The perfect solution for metering and mixing of liquid polymer!

FlowMix®

Polymer Dissolution Unit



Advantages of the FlowMix®

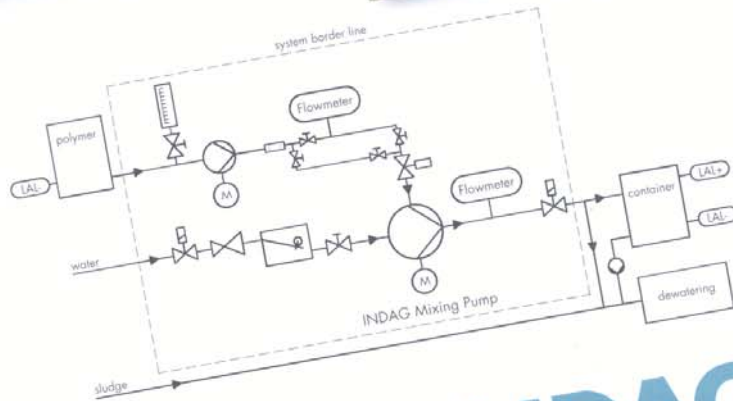
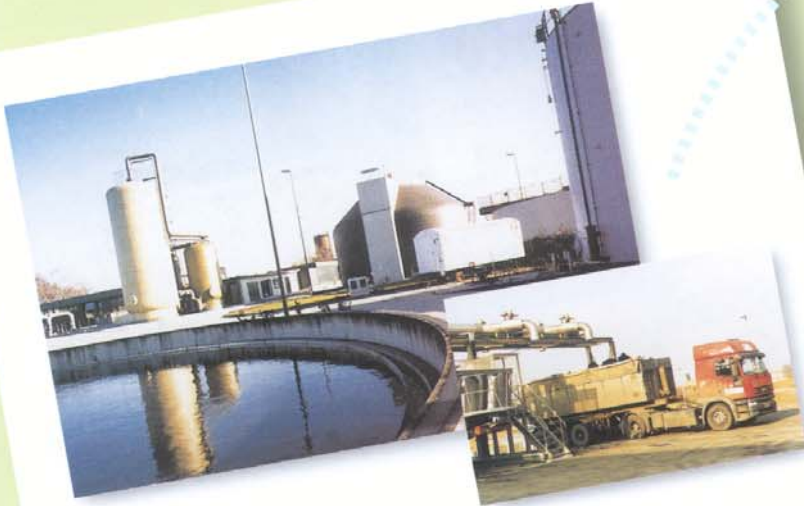
- exact metering of polymer by flowmeter
- display of daily and weekly consumption of polymer and solution
- high, directly introduced mixing energy
- homogeneous mixture
- compact, space saving solution
- continuous operation
- maintenance free
- polymer economizing, low costs
- container saving solution
- higher dry substance

INDAG
Maschinenbau GmbH



Your task ...

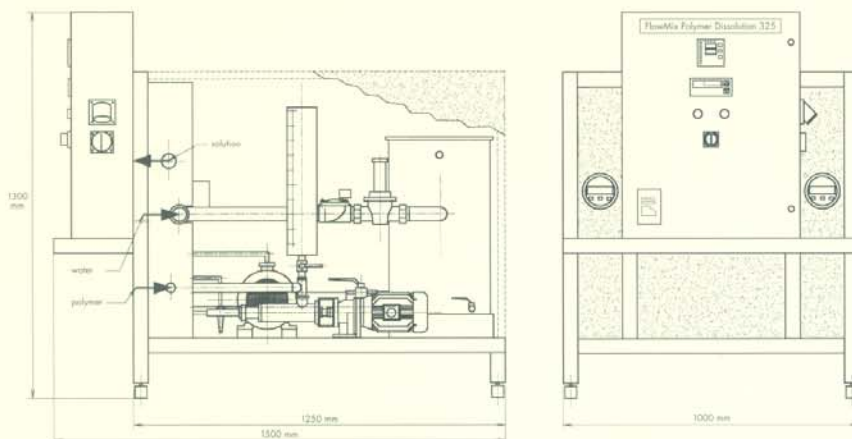
for example: dewatering of sludge



INDAG
Maschinenbau GmbH

... our solution

FlowMix®!



technology

- **Unit capacity**
from 300 l/h to 24.000 l/h
- **Concentration**
standard:
0,05 % to 1 % PE-content
other execution possible
- **Size**
EURO-size
(1500 x 1000 x 1300)
- **Control system**
Siemens PLC
- **Operation**
analoge control system (Siemens) to hold concentration at a pre-set level
display of status and error messages on text display
- **Electrical connections**
110 V to 440 V, 50Hz to 60Hz, 3 Phase
- **Viscosity**
max. 5.000 mPas
- **Pressure height**
30 m

FlowMix®

Polymer Dissolution Unit

Technology in details

type	unit	FlowMix® 125	FlowMix® 230	FlowMix® 325	FlowMix® 345	FlowMix® 435
unit capacity	l/h	300 - 1.600	700 - 3.600	1.200 - 6.000	2.400 - 12.000	4.800 - 24.000
polymer quantity	l/h	1 - 15	2 - 30	4 - 60	6 - 90	8 - 120
concentration	%	0,05 - 1,00	0,05 - 1,00	0,05 - 1,00	0,05 - 1,00	0,05 - 1,00
max. viscosity	mPas	5.000	5.000	5.000	5.000	5.000
pressure hight	m	15	25	30	30	30
size						
length	mm	1.520	1.520	1.520	1.520	u.r.
width	mm	1.000	1.000	1.000	1.000	u.r.
hight	mm	1.600	1.600	1.600	1.600	u.r.
weight	kg	210	240	280	320	u.r.
polymer connection	inch	1	1	1	1	u.r.
water connection	inch	1	1	1 ½	1 ½	u.r.
solution connection	inch	1	1	1 ½	2	u.r.

u.r. = upon request

Company profile

Since 45 years INDAG is manufacturing pumps and units for mixing and metering. One of the own developments is the INDAG-Mixing Pump.

Scope of supply and services

Transfer-, metering- and mixing-pumps, dynamic mixers and foamers, complete solutions including control systems, project engineering.

Field of operation

INDAG is supplying metering- and mixing pumps as well as complete units to the following industries:

- food industry
- pharmaceutical/ cosmetic industry
- chemical/ petrochemical industry
- paper industry
- environmental industry

INDAG

Maschinenbau GmbH

Ivenfleth 13
 Germany, D- 25376 Borsfleth
 Phone +49 41 24 98 76-0
 Telefax +49 41 24 98 76-54
 e-mail info@indag.de
 internet www.indag.de



We reserve the right of technical modification